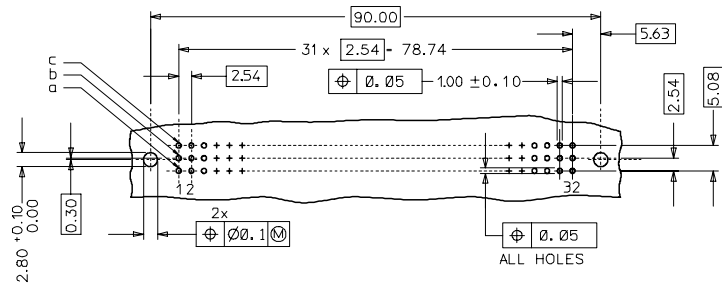
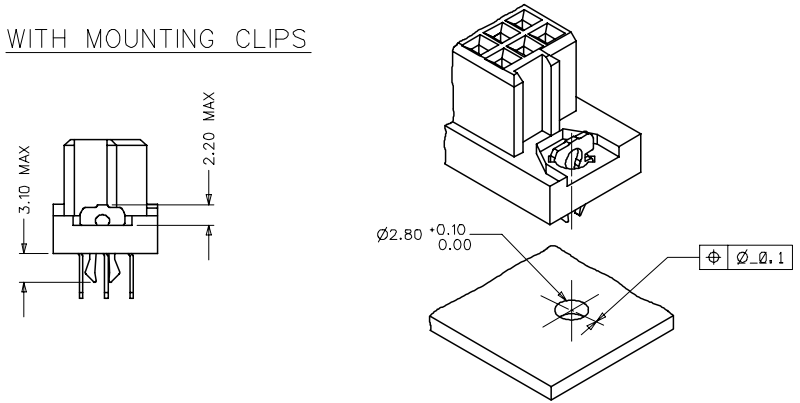


RECOMMENDED PCB LAYOUT  
COMPONENT SIDE



WITH MOUNTING CLIPS

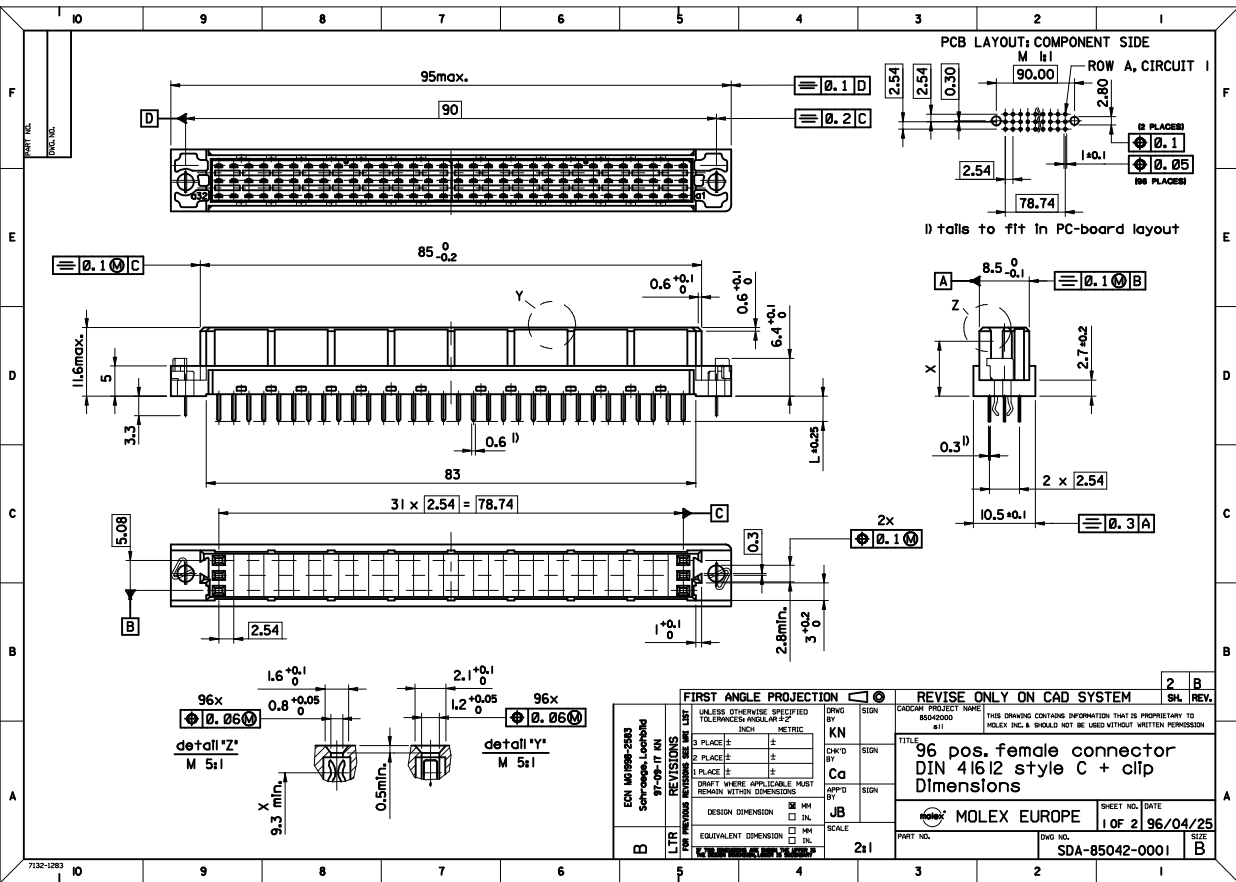


NOTES:

- 1) MATERIALS: THERMOPLASTIC POLYESTER, GLASS FILLED, UL94V-0, COLOUR: PEBBLE GREY RAL 7032  
TERMINAL - PHOSPHOR BRONZE  
MOUNTING CLIP: STEEL
- 2) FINISH: TERMINAL:-  
CONTACT AREA:  
1. PERFORMANCE LEVEL 1: SELECTIVE GOLD (Au), THICKNESS = 1.1 MICROMETER OVER NICKEL, THICKNESS = 1.5 MICROMETER  
2. PERFORMANCE LEVEL 2: SELECTIVE GOLD (Au), THICKNESS = 0.6 MICROMETER OVER NICKEL, THICKNESS = 1.5 MICROMETER  
3. PERFORMANCE LEVEL 3: SELECTIVE GOLD (Au), THICKNESS = 0.3 MICROMETER OVER NICKEL, THICKNESS = 1.5 MICROMETER  
TERMINATION AREA:  
SELECTIVE TIN, THICKNESS = 5 MICROMETER  
OVER NICKEL, THICKNESS = 1.5 MICROMETER OVERALL
- 3) MOUNTING CLIP:-  
TIN (Sn), THICKNESS = 5-10 MICROMETER,  
OVER NICKEL (Ni), THICKNESS = 2.5 MICROMETER
- 4) FOR NON MOUNTING CLIP OPTION, CONNECTOR TO BE SECURED WITH RIVETS: 2 TUBULAR RIVETS 2.5 x 0.3 ... DIN 7340  
SCREWS: 2 CHEESEHEAD SCREWS M2.5 x .... DIN 84 AND 2 HEXAGONAL NUTS M2.5 DIN 934
- 5) MATERIAL No, BATCH CODE, UL AND CSA MARKING TO BE PRINTED ON THE CONNECTOR.
- 6) CUT FACES OF TIP WITHOUT PLATING PERMITTED.
- 7) PRODUCT SPECIFICATION PS:36500-001

RoHS COMPLIANT

ENTER DESCRIPTION E.C. NO. 12007-0193 DRAWING NO. 2007/01/08 CHKD BY CHANDRASEKAR APPROVED BY 2007/01/09	QUALITY SYMBOLS ▽=0 ▽=0	GENERAL TOLERANCES (UNLESS SPECIFIED)		DIMENSION STYLE MM ONLY		SCALE 2:1	DESIGN UNITS METRIC	THIRD ANGLE PROJECTION	
		mm	INCH	DRAWN BY SSUDHIR	DATE 2000/09/22	TITLE ASSEMBLY DIN 41612 C FEMALE 96 POS 1.0MM PCB DIA	MATERIAL NO. 85042-0001		
DRAFT WHERE APPLICABLE MUST REMAIN WITHIN DIMENSIONS	SIZE A 1	4 PLACES ± --- ± ---		CHECKED BY G.L.		DATE 2000/09/22		DOCUMENT NO. SD-85042-0001	
		3 PLACES ± 0.05 ± ---		APPROVED BY G.L.		DATE 2000/09/22		SHEET NO. 1 OF 1	
		2 PLACES ± 0.1 ± ---							
		1 PLACE ± 0.15 ± ---							
		ANGULAR ± 2°							



SHT. 1 OF		MRI -			
MODIFICATION RECORD INDEX					
ECN	ISS.	DATE	INIT.	SHTS. AFFECTED	DESCRIPTION OF MOD.
2213	A	96.04.26	KN	1 / 2	first release
2253	AI	96.10.01	KN	1	Kontur ueber Rastfenster
2583	B	97.09.17	KN	1	Schraege Im Flanschbereich Lochbild

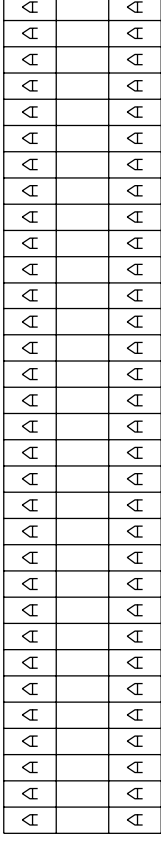
  

MOLLEX EUROPE		REVISE ONLY ON CAD SYSTEM	
THIS DRAWING CONTAINS INFORMATION THAT IS PROPRIETARY TO MOLLEX INC. & SHOULD NOT BE USED WITHOUT WRITTEN PERMISSION		CAD/CAM FILENAME	
MF0028		ISSUE	

LEVEL CHART

1	17	33	49
2	18	34	50
3	19	35	51 LEVEL INDEX
4	20	36	52 RESERVED
5	21	37	53 RESERVED
6	22	38	54 Inspection Balloons
7	23	39	55 DIMENSIONS
8	24	40	56 TABLES/CHARTS
9	25	41	57 REVISION TEXT & MRI
10	26	42	58 Notes/text - English
11	27	43	59 Bill of materials
12	28	44	60 notes/text - german
13	29	45	61
14	30	46	62 notes/text - french
15	31	47	63 RESERVED
16	32	48	

VIEW ON MATING SIDE



1 2 3 4 5 6 7 8 9 10 11 12 13 14 15 16 17 18 19 20 21 22 23 24 25 26 27 28 29 30 31 32

A = 64 STANDARD CONTACTS L=4,5

Marking	Standard
Performance level	G2/0 = Contact area level2 / Termination tin
Flux proof	no
Fixing clip	no
Dimensions	SDA-85042-0001 sht.1
Technical Data	PS-85042-0001

A	G2/0	a1-32	c1-32
Contact symbol	Perform. level	Contact position number	

first release  
see ECN No. 2154

REVISIONS  
FOR PREVIOUS REVISIONS SEE MFR LIST

UNLESS OTHERWISE SPECIFIED  
TOLERANCES: ANGULAR  $\pm 2^\circ$   
INCH METRIC  
3 PLACE  $\pm$  .  $\pm$   
2 PLACE  $\pm$  .  $\pm$   
1 PLACE  $\pm$  .  $\pm$   
DRAFT WHERE APPLICABLE MUST  
REMAIN WITHIN DIMENSIONS  
DESIGN DIMENSION  MM  IN.  
EQUIVALENT DIMENSION  MM  IN.  
IF TWO DIMENSIONS ARE SHOWN, THE UPPER IS  
THE DESIGN DIMENSION, LOWER IS SECONDARY

DRWG BY **Ca** SIGN  
CHK'D BY **KN** SIGN  
APP'D BY SIGN  
SCALE

REVISE ONLY ON CAD SYSTEM SH. REV.  
CAD/CAM PROJECT NAME s8504201 THIS DRAWING CONTAINS PROPRIETARY TO MOLEX INC. & SHOULD NOT BE USED WITHOUT WRITTEN PERMISSION s71

TITLE  
**96 pos. female connector  
acc. DIN 41612 style C  
contacts arrangement**

SHEET NO. DATE  
**MOLEX EUROPE** 1 OF 1 96/05/24  
PART NO. DWG NO. SIZE  
**85042-0177** SDA-85042-0177 A